

Electric Winch

Model: **CWG-30151**

PN: 153100 380V50Hz

Introduction

► Feature

- Lifting capacity: 500 kg wire rope top layer
- Lifting height: 97 m
- Lifting speed: 12-18 m/min at 50Hz
- Brake: Electromagnetic spring-applied failsafe brake
- Control: Pendant switch powers the winch

► Unpacking

- Winch assembly 1pc
- Wire rope 8 mm x 100 m w/weight hook CHW-0005 1pc
- Low voltage control ass'y LV-320 1pc
- Pendant switch CPB-161 w/cord 1.25 mm² x 3C x 3 m 1pc

► Read this manual carefully

You should carefully read and understand this manual carefully before operating it. Careless winch operation may result in personal injury hazards or property damage.

► Information requesting or parts ordering

Please specify the followings information:

- Winch PN
- Serial number
- Part description
- Replacement part number
- Quantity for each part

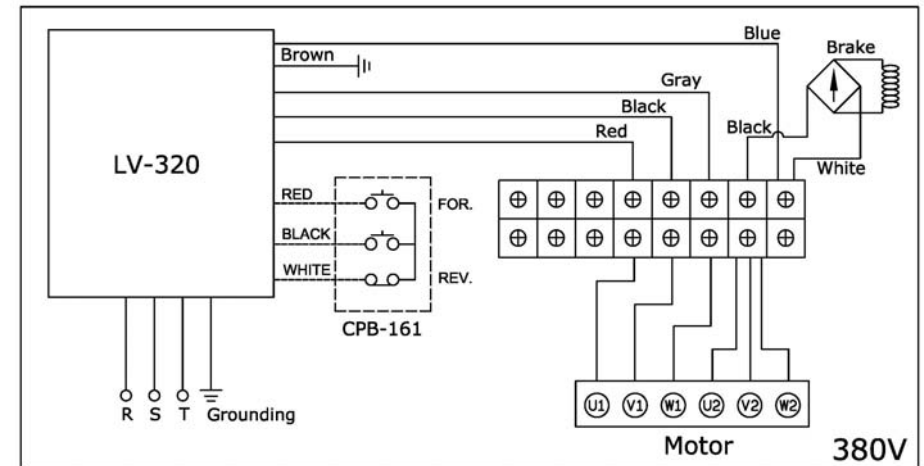
Installation

Before using the winch, make sure all electrical components have no corrosion or damaged; the environment should be clear and dry.

► Performance

Winch Model				CWG-30151							
Motor		kw x p		1.5 x 4							
Recommend Wire Rope	Size(mm)		8								
	Breaking (kg)		2,970								
1 st Layer	Rated Load (kg)	50Hz	770	2 nd Layer	Rated Load (kg)	50Hz	695	3 rd Layer	Rated Load (kg)	50Hz	633
	Speed (m/min)	50Hz	12		Speed (m/min)	50Hz	13		Speed (m/min)	50Hz	15
	Rope-Winding Cumulating Sum (m)		13.5		Rope-Winding Cumulating Sum (m)		28		Rope-Winding Cumulating Sum (m)		45
4 th Layer	Rated Load (kg)	50Hz	582	5 th Layer	Rated Load (kg)	50Hz	538	6 th Layer	Rated Load (kg)	50Hz	500
	Speed (m/min)	50Hz	16		Speed (m/min)	50Hz	17		Speed (m/min)	50Hz	18
	Rope-Winding Cumulating Sum (m)		63		Rope-Winding Cumulating Sum (m)		82		Rope-Winding		97

► Wiring Diagram



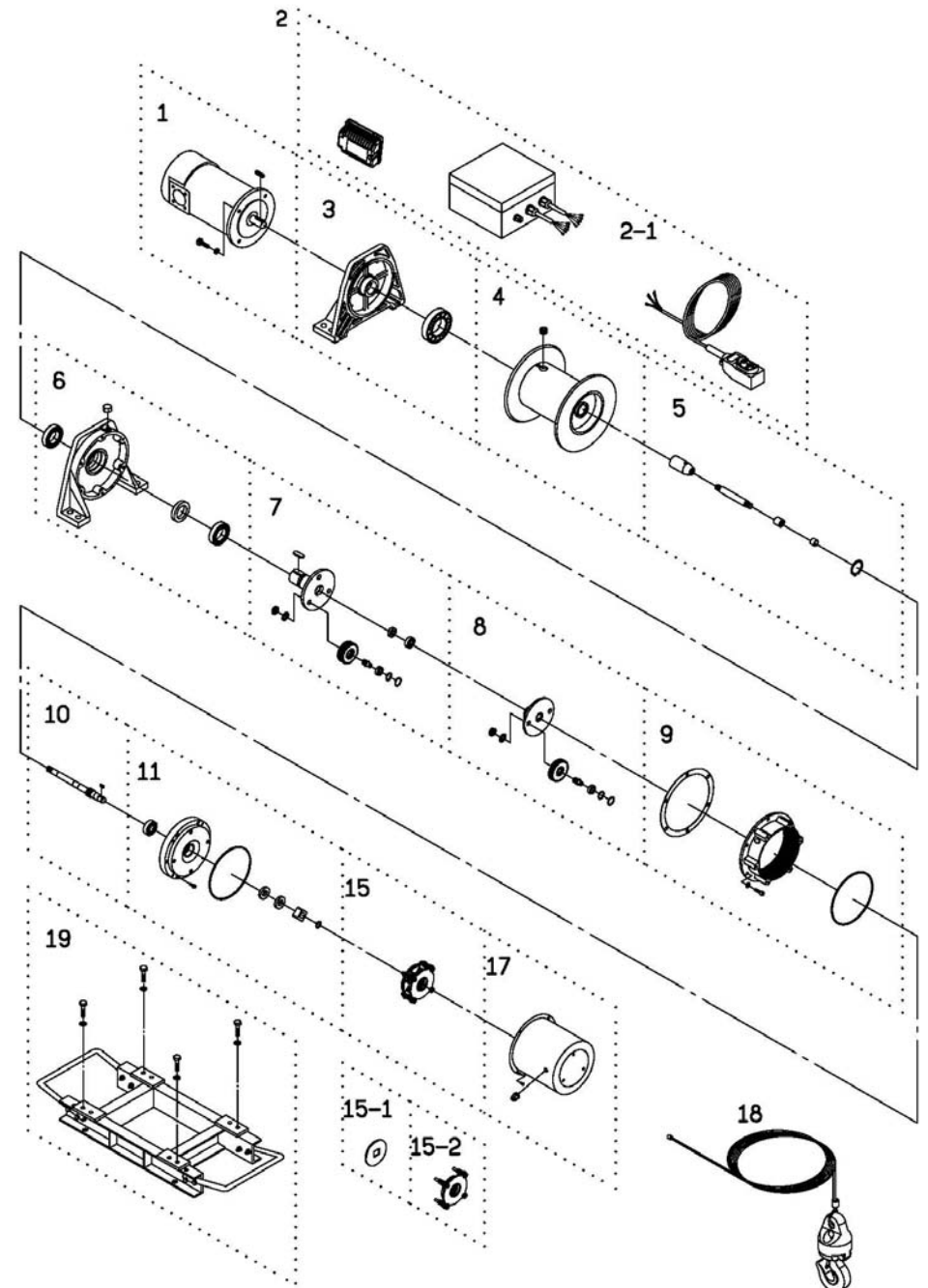
Warning

- The winch is not intended to be used in any manner for the movement or lifting of personnel.
- The lifting capacity shown is based on the top layer of rope on the drum.
- The rope winding on the drum shall remain 5 wraps from the drum.

Parts List

Item No.	Description	Part No.	Qty
1	Induction motor kit ,380V	880827	1
2	Low voltage control ass'y LV-320	881919	1
2-1	Remote control, CPB-161	881047	1
3	Motor support rack kit	880806	1
4	Drum kit	880807	1
5	Connect shaft kit	880808	1
6	Gearbox support rack kit	880809	1
7	2 nd stage carrier kit	881663	1
8	1 st stage carrier kit	881664	1
9	Gear box kit	880814	1
10	1 st shaft kit	880815	1
11	Gearbox rear cover kit	880816	1
12	Brake base	880817	1
13	Brake disc	880818	1
14	Brake panel	880819	1
15	Brake kit DC200V	882220	1
15-1	Brake disc	882046	1
15-2	Brake coil DC200V	882221	1
17	Brake cover kit	880822	1
18	Wire rope w/weight hook	881456	1
19	Base plate kit	881720	1

Winch Assembly



Ver:01