

Electric Winch

Model: **CWG-10077**

PN: 152266 220V50Hz
151077 115V60Hz

Introduction

► Feature

- Lifting capacity: 300 kg wire rope top layer
- Lifting height: 58 m for 6 mm x 60 m rope
- Lifting speed: 12-19 m/min at 50Hz ; 14-21 m/min at 60Hz
- Brake: Electromagnetic spring-applied failsafe brake
- Control: Pendant switch powers the winch

► Unpacking

- Winch assembly 1pc
- Wire rope 6 mm x 60 m 1pc
- Weight hook CHW-0031 1pc
- Pendant switch CPB-213 w/cord 3.5 mm² x 5C x 3 m 1pc

► Read this manual carefully

You should carefully read and understand this manual before operating it. Careless winch operation may result in personal injury hazards or property damage.

► Information requesting or parts ordering

Please specify the followings information:

- Winch PN
- Serial number
- Part description
- Replacement part number
- Quantity for each part

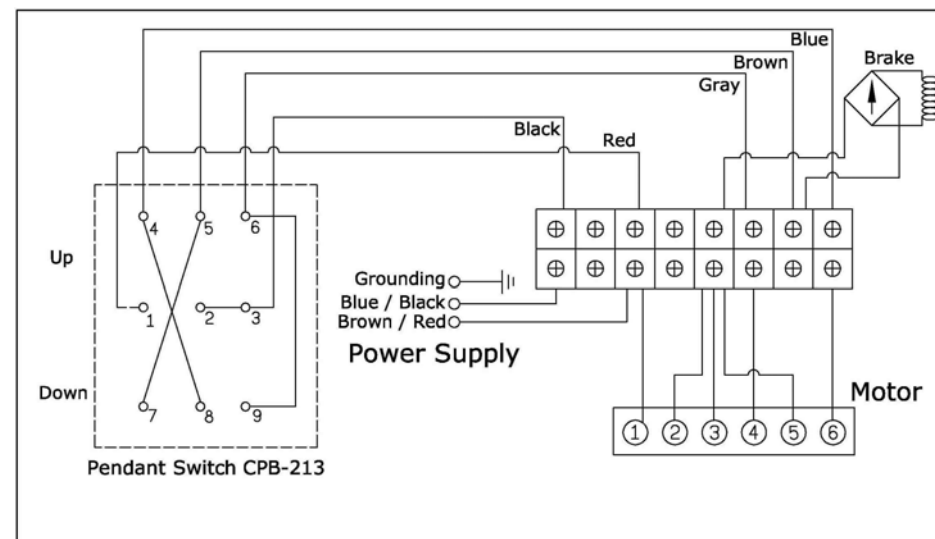
Installation

Before using the winch, make sure all electrical components have no corrosion or damaged; the environment should be clear and dry.

► Performance

Winch Model			CWG-10077								
Motor	kw x p		1.5 x 4								
Recommend Wire Rope	Size(mm)		6								
	Breaking (kg)		2,010								
1 st Layer	Rated Load (kg)	50Hz	467	2 nd Layer	Rated Load (kg)	50Hz	420	3 rd Layer	Rated Load (kg)	50Hz	382
		60Hz				60Hz	420			60Hz	382
	Speed (m/min)	50Hz	12		Speed (m/min)	50Hz	13.5		Speed (m/min)	50Hz	14.9
		60Hz	14			60Hz	15.5			60Hz	17.1
Rope-Winding Cumulating Sum (m)			8.1	Rope-Winding Cumulating Sum (m)			17.2	Rope-Winding Cumulating Sum (m)			27.1
4 th Layer	Rated Load (kg)	50Hz	350	5 th Layer	Rated Load (kg)	50Hz	323	6 th Layer	Rated Load (kg)	50Hz	300
		60Hz				60Hz	323			60Hz	300
	Speed (m/min)	50Hz	16.2		Speed (m/min)	50Hz	17.6		Speed (m/min)	50Hz	19
		60Hz	18.6			60Hz	20.2			60Hz	21
Rope-Winding Cumulating Sum (m)			38	Rope-Winding Cumulating Sum (m)			50	Rope-Winding Cumulating Sum (m)			60

► Wiring Diagram



Warning

- The winch is not intended to be used in any manner for the movement or lifting of personnel.
- The lifting capacity shown is based on the top layer of rope on the drum.
- The rope winding on the drum shall remain 5 wraps from the drum.

Parts List

Item No.	Description	Part No.	Qty
1	Induction motor kit	880795	1
	Induction motor kit for 115V/60Hz	880794	1
2	Control kit	881324	1
3	Bridge rectifier CBR-061	880368	1
4	Support bracket	880776	2
5	Drum kit	880777	1
6-1	Tie bar	881863	1
6-2	Tie bar kit	880778	3
7	2 nd shaft kit	880781	1
8	Gear box kit	880782	1
9	1 st stage carrier kit	880783	1
10	1 st shaft kit	880784	1
11	Conductor kit	880785	1
12	Brake coil	880786	1
13	Conductor plate A	880787	2
14	Brake disc	880379	2
15	Hex socket	880790	1
16	Conductor plate A kit	880788	1
17	Brake cover kit	880792	1
18	Wire rope 6 mm X 60 m	881328	1
19	Weight hook, CHW-0031	880384	1

Winch Assembly

